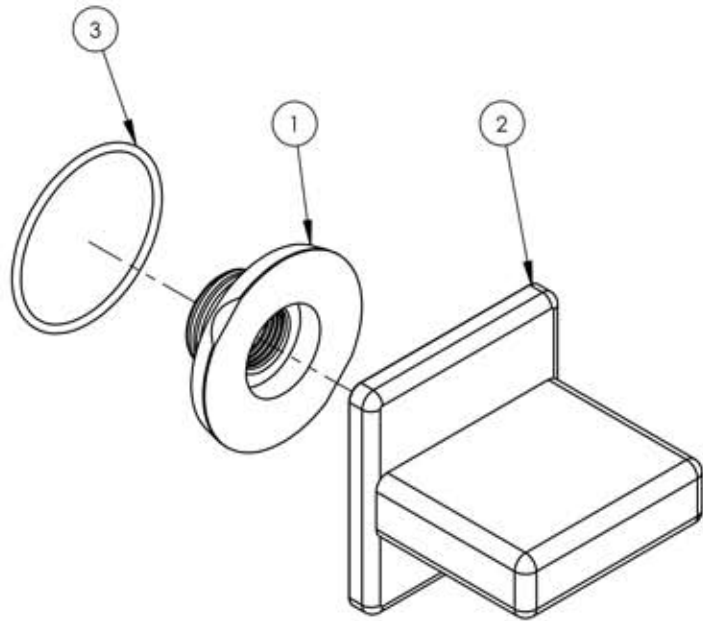


ITEM NO.	PART NUMBER	DESCRIPTION	QTY.
1	11003	SLEEVE MOUNT, WALL MT WIDESPREAD	1
2	3-101/00	ASSY, HANDLE BLADE MIX	1
	10932/00	ESCUTCHEON, HANDLE MIX SERIES	1
	10923/00	HANDLE, BLADE MIX SERIES	1
	92176	WEAR WASHER	2
	92005	SET SCREW, CUP PT 6-32UNC THREAD 3/16"L	1
	92177	RETAINING RING, 7/16" SHAFT	1
3	90029	O-RING, 1-5/8"ID X 1-3/4"OD X 1/16"THK, AS-568-029	1



A

B

C

D

E

ZONE	REV.	DESCRIPTION	DATE	APPROVED
REVISIONS				
1261 LOGAN AVENUE COSTA MESA, CALIFORNIA 92626 PHONE: 714.361.4800 FAX: 714.617.3120		PHYLORICH®	PROPRIETARY AND CONFIDENTIAL <small>THE INFORMATION CONTAINED IN THIS DRAWING IS THE SOLE PROPERTY OF RSS MANUFACTURING. ANY REPRODUCTION IN PART OR AS A WHOLE WITHOUT THE WRITTEN PERMISSION OF RSS MANUFACTURING IS PROHIBITED.</small>	
Defining Luxury Since 1959				

-	-	INTERPRET GEOMETRIC DIMENSIONING & TOLERANCING IN ACCORDANCE WITH ASME Y14.5-2009 & ASME Y14.41-2003 STANDARDS, UNLESS OTHERWISE SPECIFIED. DIMENSIONS ARE IN INCHES. TOLERANCES ARE:		
NEXT ASSY	USED ON	FRACTIONS ±1/64"	DECIMALS X.X: ±.1 X.XX: ±.01 X.XXX: ±.005	ANGULAR ±.5°
APPLICATION		MATERIAL	NAME	DATE
FINISH		DRAWN	CA	5/30/2013
DO NOT SCALE DRAWING		CHECKED		

**VOLUME CONTROL / DIVERTER TRIM,
BLADE HANDLE, MIX SERIES**

SIZE	ASM/PRT NO.	REV
A	290-35/00	
SCALE: 1:1.5	WEIGHT: lbs.	SHEET 1 OF 2

5

4

3

2

1